

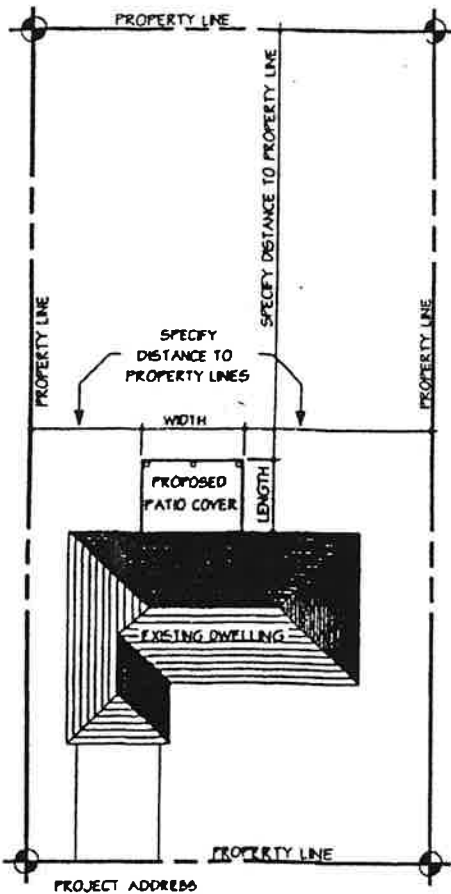
City of Claremont

Building & Safety Division



PATIO COVER REQUIREMENTS

PROJECT ADDRESS: _____



-SAMPLE PLOT PLAN

-----DRAW ACTUAL PLOT PLAN IN THIS SPACE

APPLICANT INFORMATION:

NAME: _____

ADDRESS: _____

TELEPHONE NO.: _____

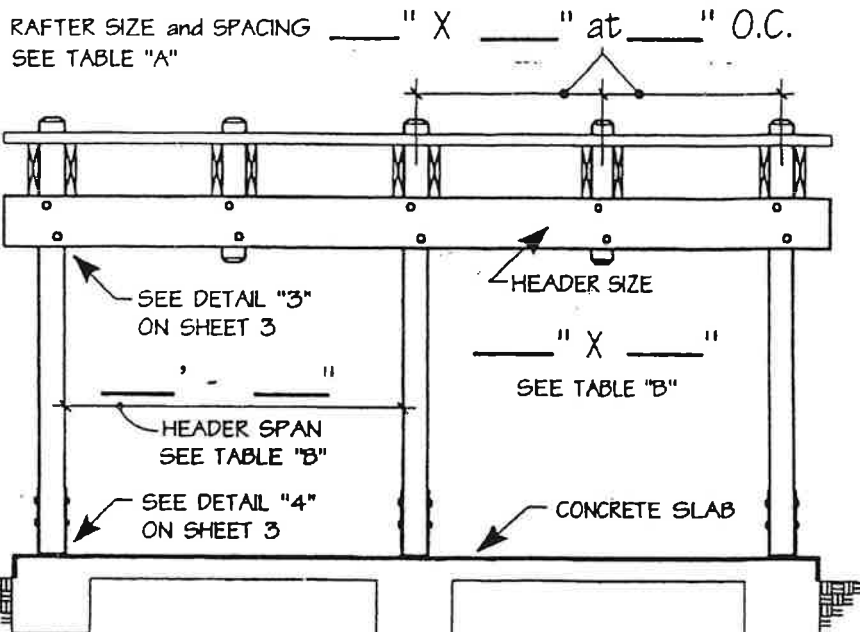
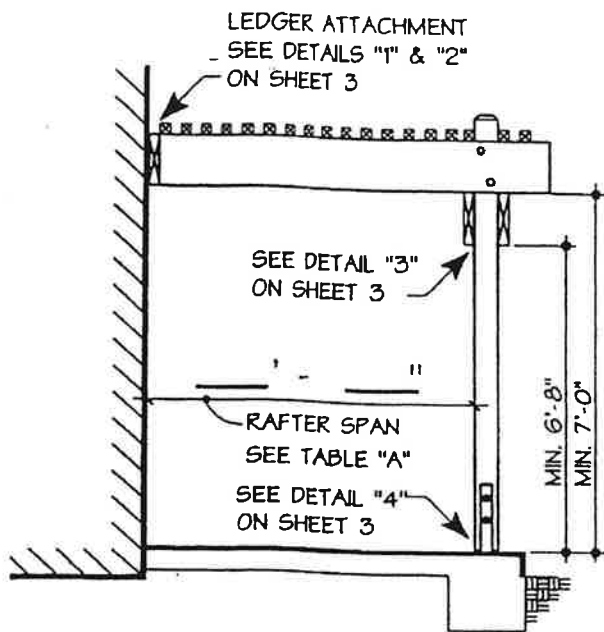
OWNER INFORMATION:

NAME: _____

ADDRESS: _____

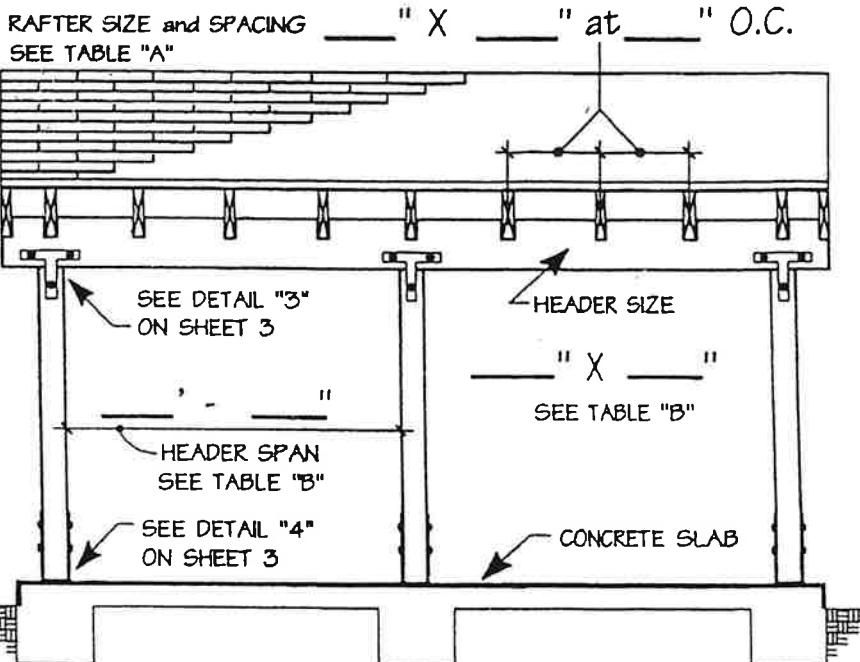
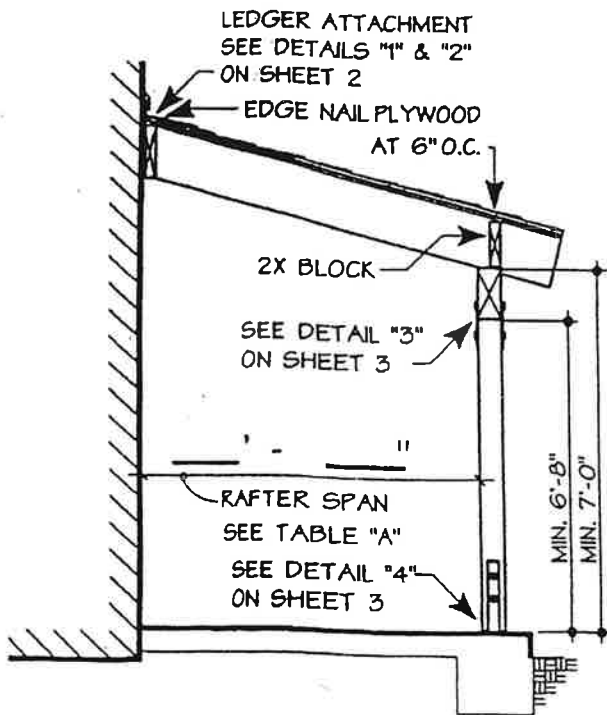
TELEPHONE NO.: _____

≡≡≡ FOR OFFICE USE ONLY ≡≡≡



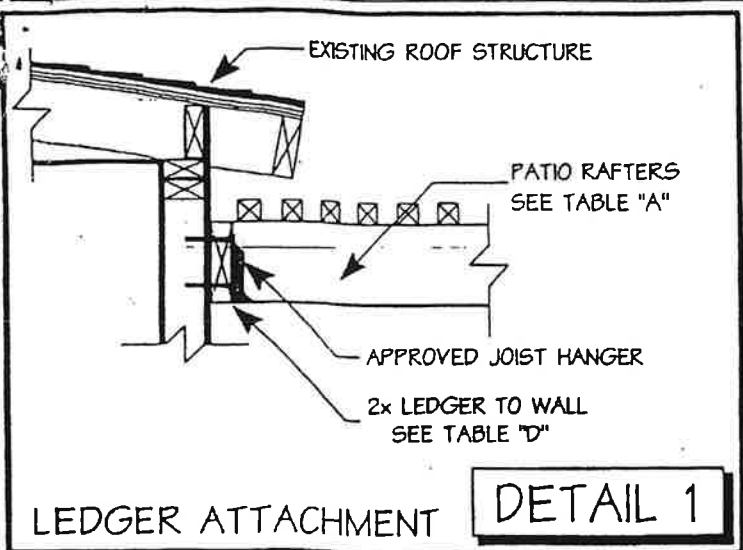
CUSTOM PATIO DESIGN

- ROOF SHEATHING
- LATTICE
 - SOLID

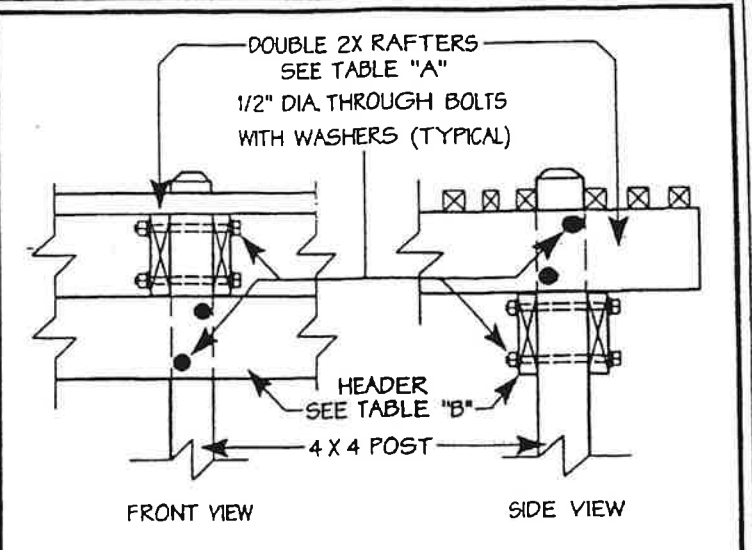


CONVENTIONAL PATIO DESIGN

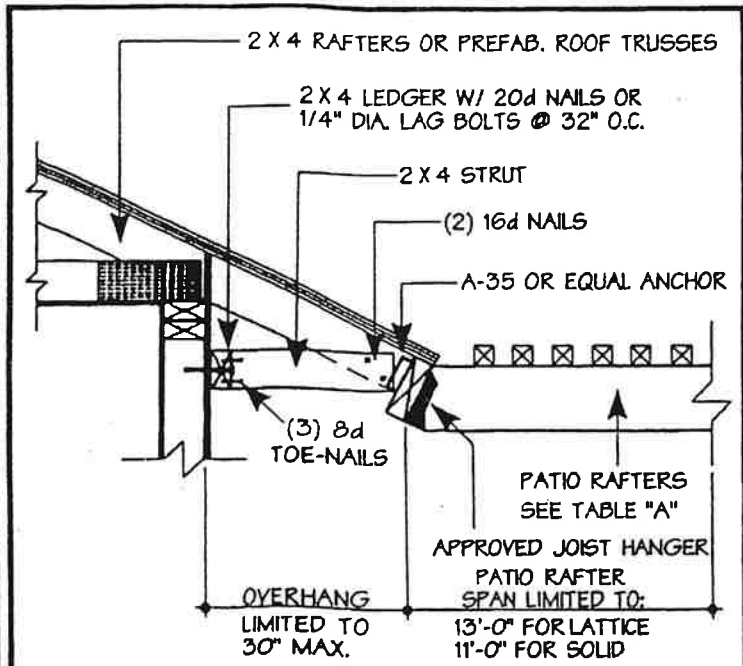
- ROOF SHEATHING
- LATTICE
 - SOLID



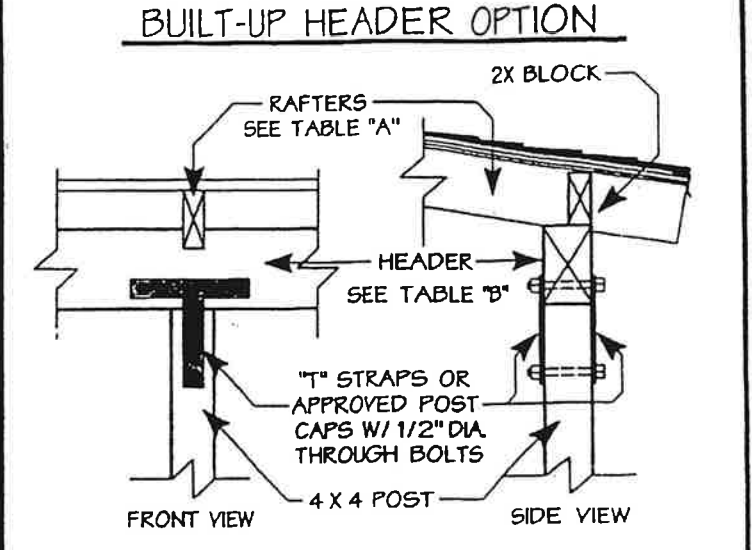
LEDGER ATTACHMENT **DETAIL 1**



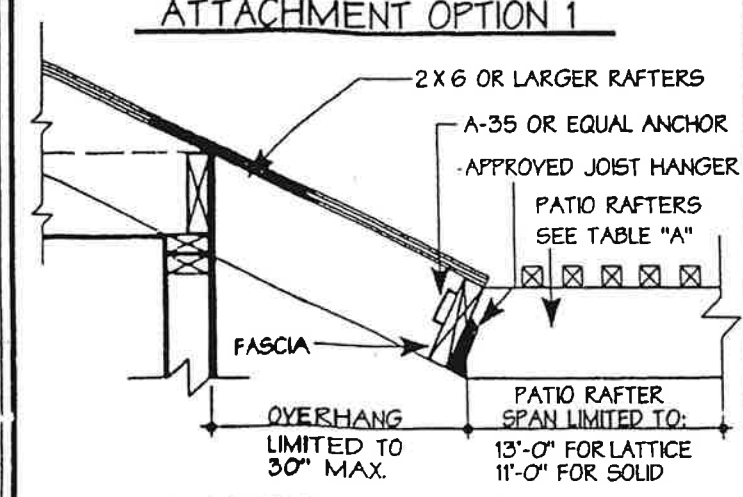
BUILT-UP HEADER OPTION



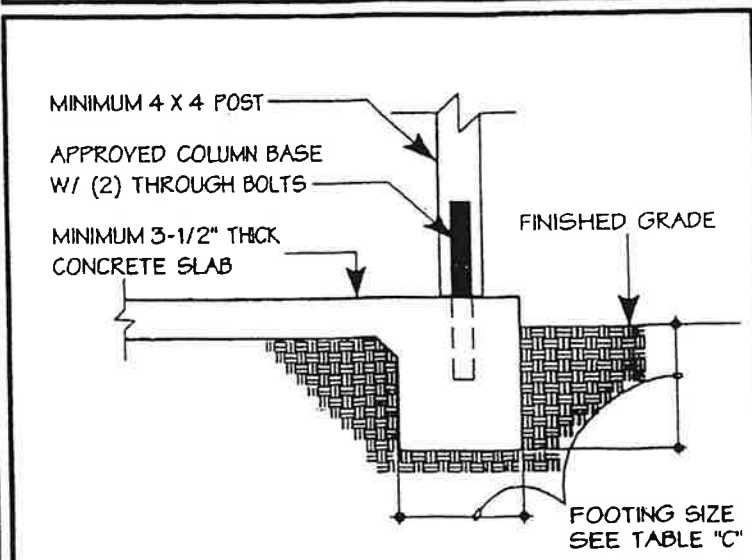
ATTACHMENT OPTION 1



CONVENTIONAL HEADER OPTION



ATTACHMENT OPTION 2



POST TO FOOTING **DETAIL 4**

FASCIA ATTACHMENTS **DETAIL 2**

TABLE "A"

RAFTERS		
SIZE	SPACING	SPAN
2 x 4	* 12"	9'-10"
	* 16"	8'-11"
	* 24"	7'-9"
	* 32"	7'-1"
	* 48"	5'-9"
2 x 6	12"	15'-5"
	16"	14'-0"
	24"	12'-3"
	* 32"	10'-4"
	* 48"	8'-5"
2 x 8	12"	20'-4"
	16"	18'-6"
	24"	16'-2"
	* 32"	13'-1"
	* 48"	10'-8"
2 x 10	12"	25'-0"
	16"	23'-7"
	24"	19'-10"
	* 32"	16'-0"
	* 48"	13'-1"
4 x 4	12"	12'-11"
	16"	11'-10"
	24"	10'-4"
	* 32"	9'-4"
	* 48"	8'-2"
4 x 6	12"	19'-9"
	16"	18'-3"
	24"	16'-3"
	* 32"	14'-9"
	* 48"	12'-11"
4 x 8	12"	25'-0"
	16"	23'-8"
	24"	21'-3"
	* 32"	19'-5"
	* 48"	17'-0"

TABLE "B"

HEADERS (1)		
RAFTER	HEADER	
SPAN	SPAN	SIZE
UP TO 12'	UP TO 8'	4 x 6
	UP TO 10'	4 x 8
	UP TO 12'	4 x 10
UP TO 14'	UP TO 12'	4 x 10
	UP TO 14'	4 x 12
	MORE THAN 12'	UP TO 8'
	UP TO 9'	4 x 10
	UP TO 10'	4 x 12
	UP TO 12'	4 x 14

TABLE "C"

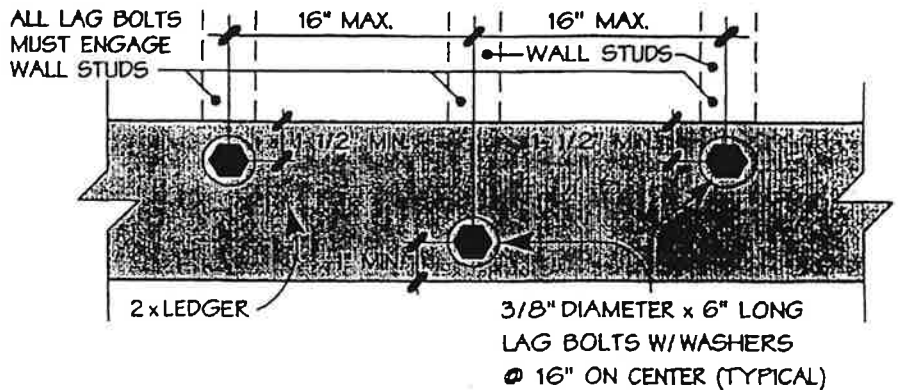
FOOTING SIZE
BASED ON 1500 PSF SOIL BEARING PRESSURE
12" SQ. x 12" DEEP
12" SQ. x 12" DEEP
18" SQ. x 12" DEEP
18" SQ. x 12" DEEP
18" SQ. x 12" DEEP
18" SQ. x 12" DEEP
18" SQ. x 12" DEEP
18" SQ. x 12" DEEP
18" SQ. x 12" DEEP
18" SQ. x 12" DEEP

TABLE "D"

LEDGER BOLTING (2)
ALL LAG BOLTS SHALL HAVE 1/4" PRE-DRILLED HOLES
3/8" DIAMETER x 6" LONG at 16" O.C. STAGGERED
(2) 3/8" DIAMETER x 6" LONG at 16" O.C.

NOTES: (1) ALL TABLES BASED ON 2'-0" MAXIMUM OVERHANG BEYOND HEADER.
 (2) LENGTH OF LAG BOLTS AT LEDGER MAY BE REDUCED TO 5" IF LEDGER IS ATTACHED DIRECTLY TO STUDS (NO STUCCO, PLYWOOD, OR OTHER MATERIALS BETWEEN).

LEDGER BOLTING PATTERNS

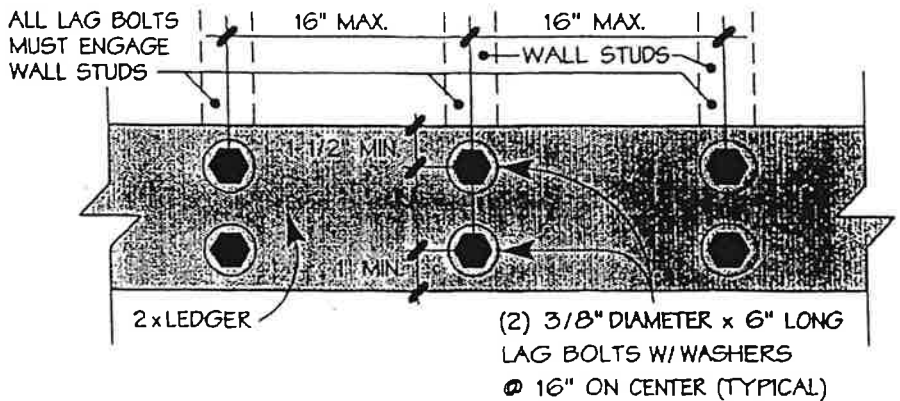


STAGGERED BOLTING PATTERN

* THIS SPACING AND SPAN IS FOR LATTICE COVERING ONLY

GENERAL NOTES:

- ALL LUMBER SHALL BE DOUGLAS FIR NO. 2 GRADE OR BETTER.
 - (2) 2X MEMBERS MAY BE SUBSTITUTED FOR (1) 4X MEMBER.
 - ALL JOIST HANGER CONNECTIONS SHALL BE MADE WITH NAILS. THE USE OF JOIST HANGERS WITH "SPEED PRONG" TYPE CONNECTIONS ONLY IS PROHIBITED.
 - MINIMUM SOLID COVER PATIO ROOF SLOPE:
 - BUILT-UP or ROLLED ROOFING: 1/4" per ft.
 - ALL OTHER ROOFING MATERIALS: 3:12*
- * LESSER SLOPES REQUIRE SPECIAL APPROVAL BY THE BUILDING & SAFETY DIVISION



DOUBLE BOLTING PATTERN